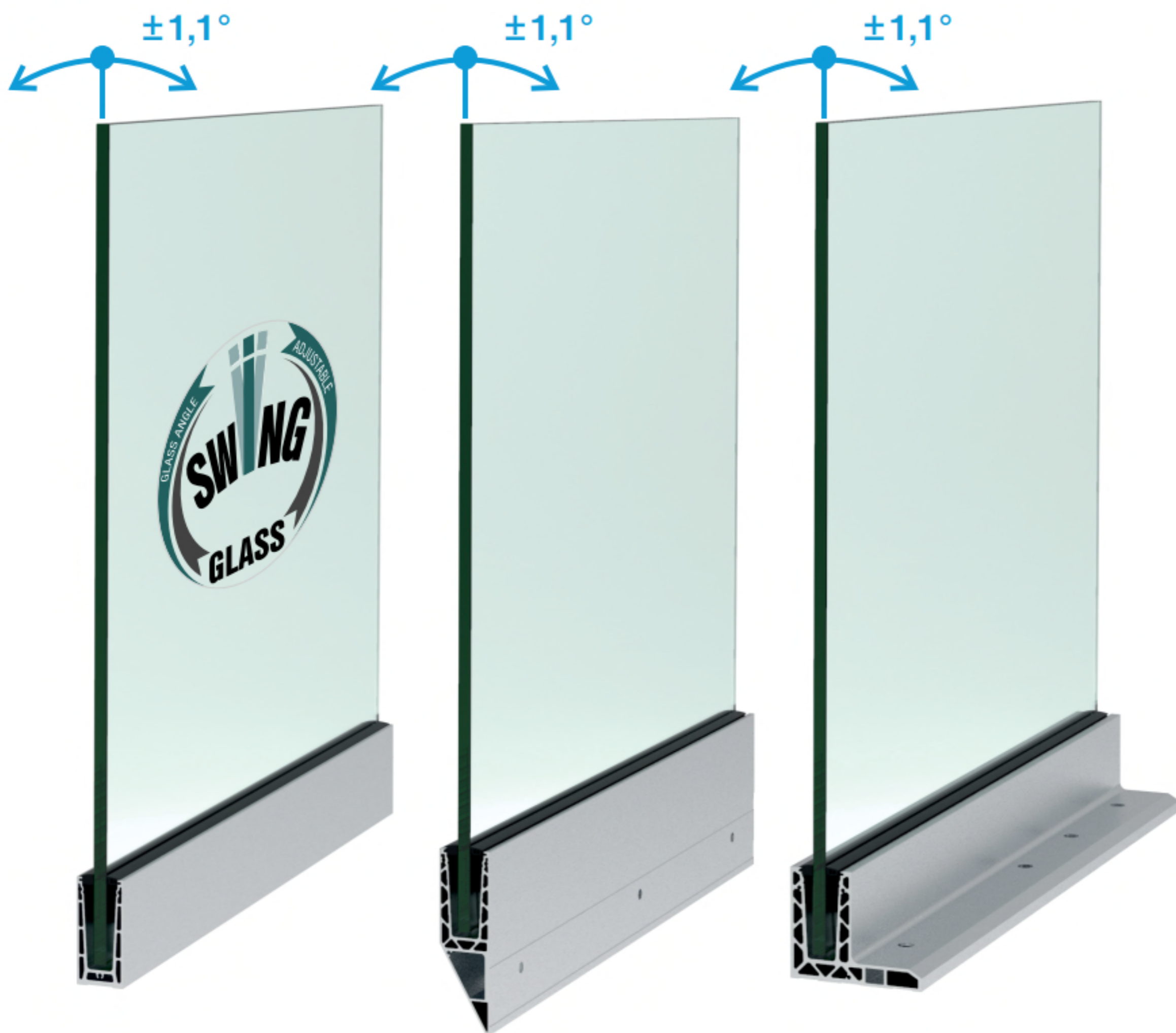


SWING GLASS®



FLEX series
1-3 kN

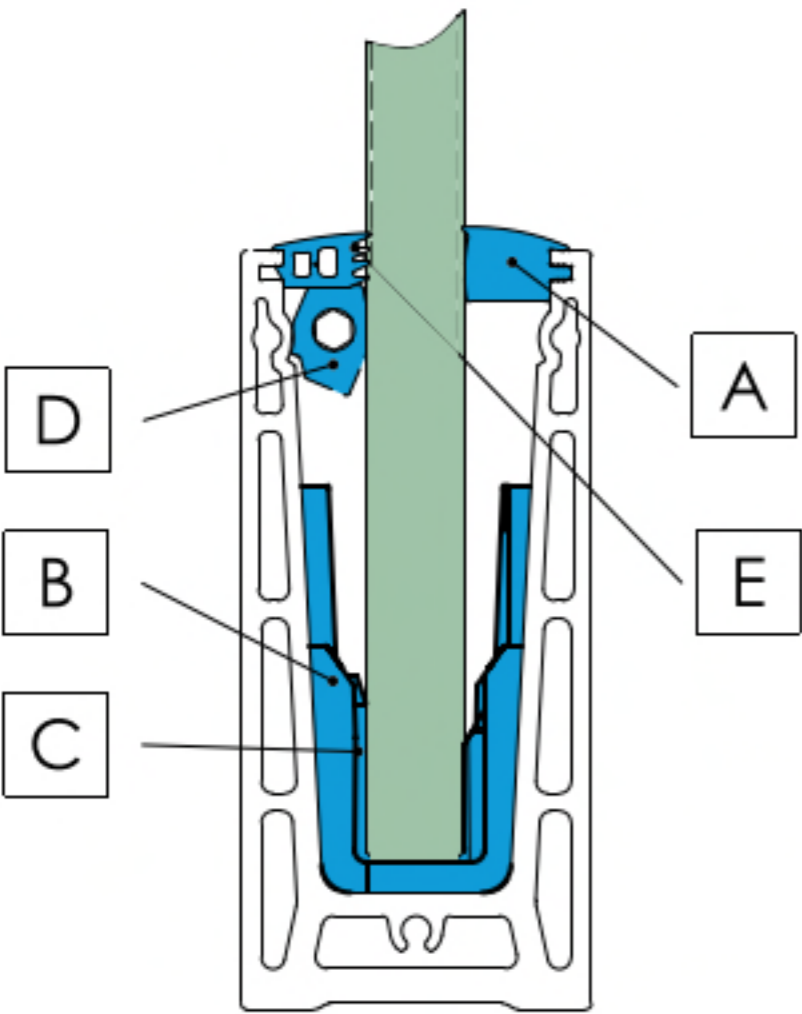
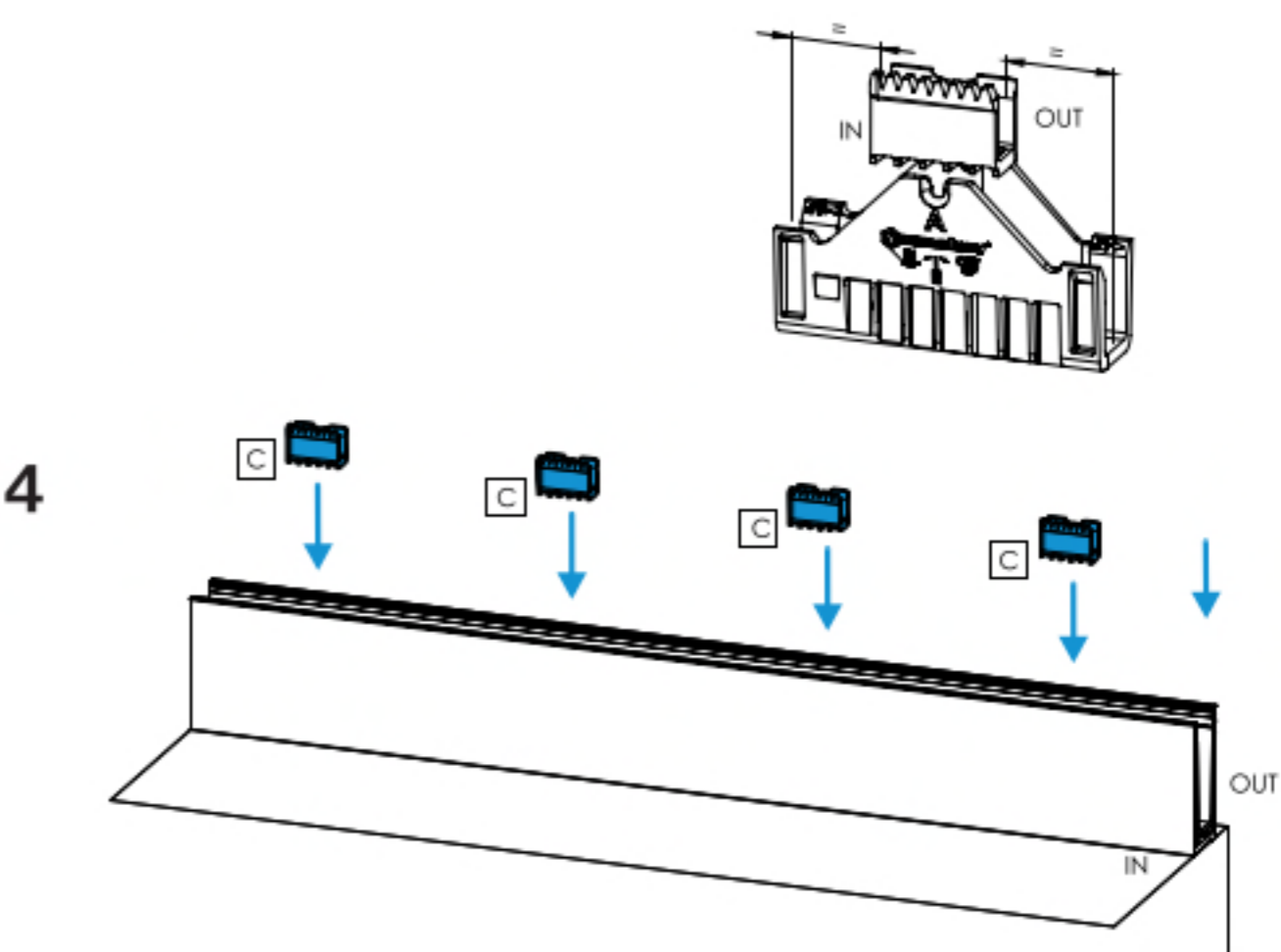
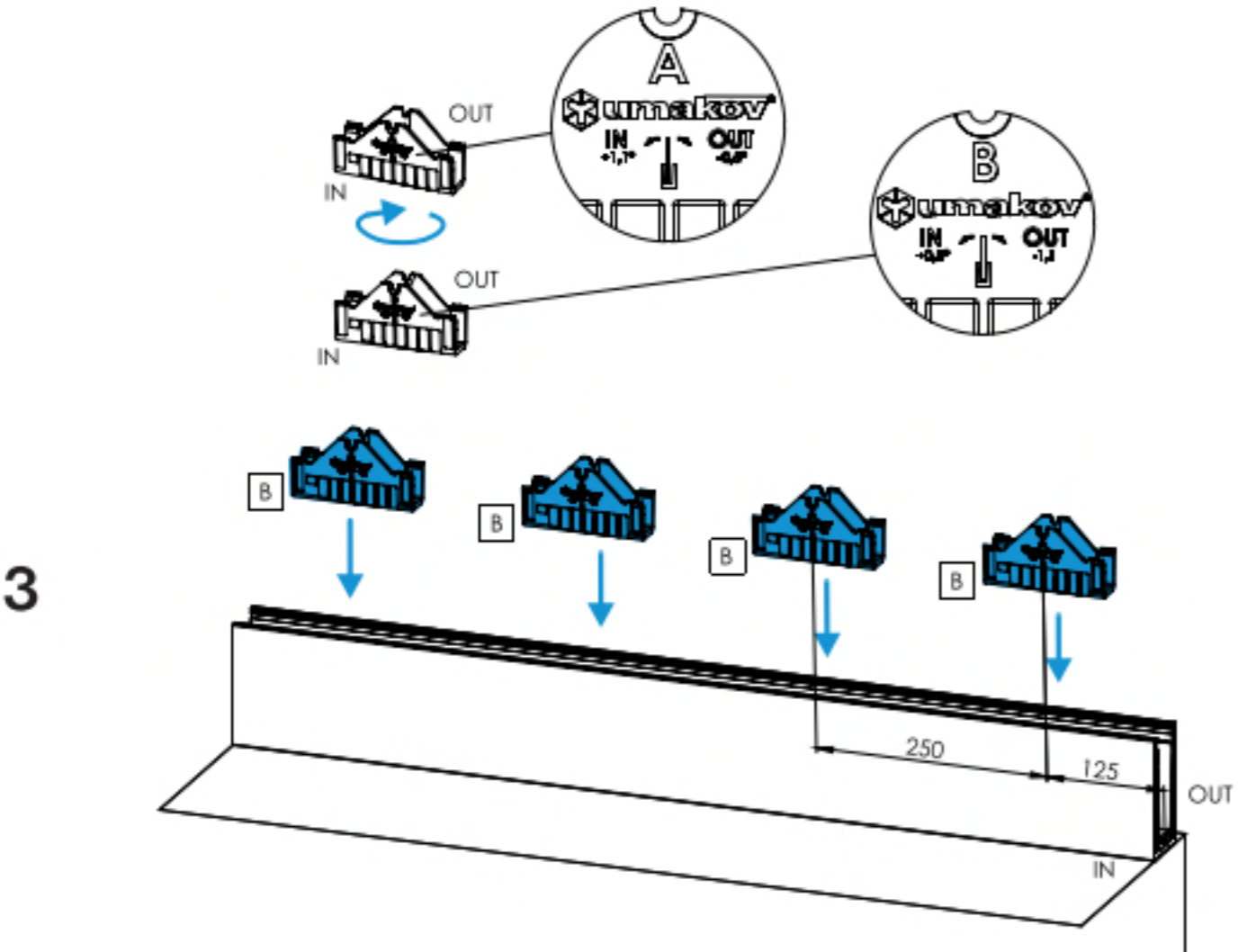
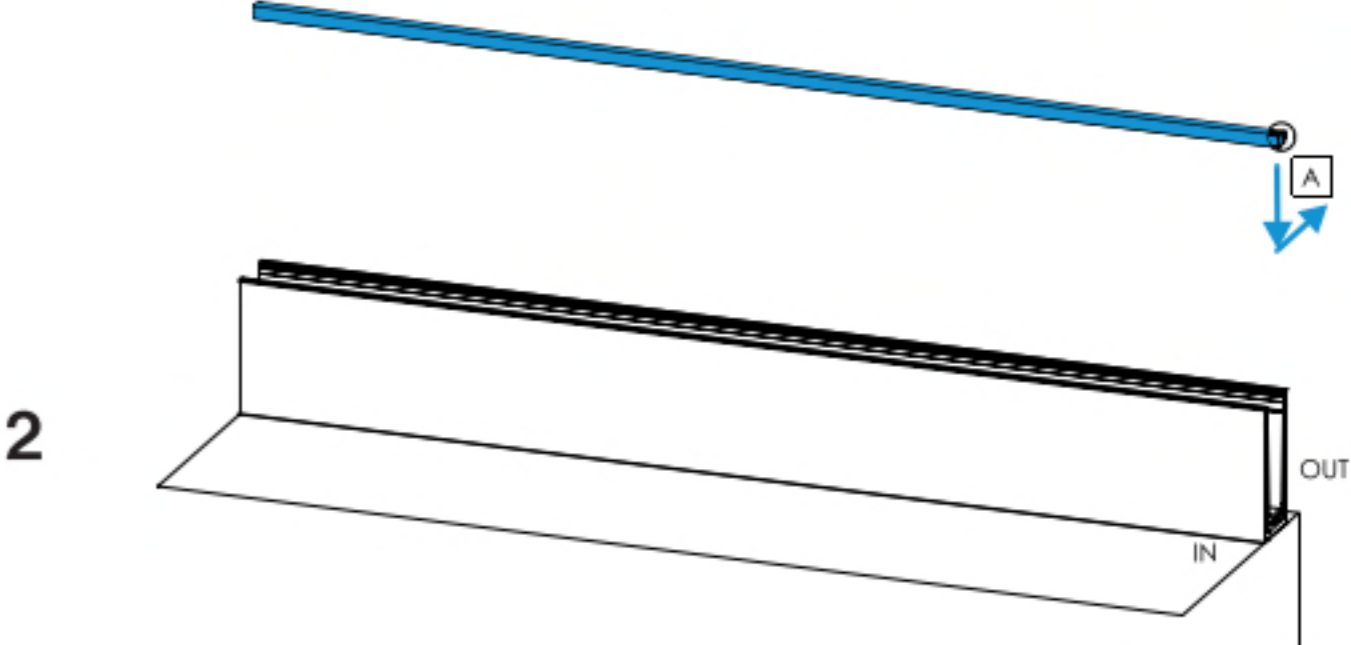
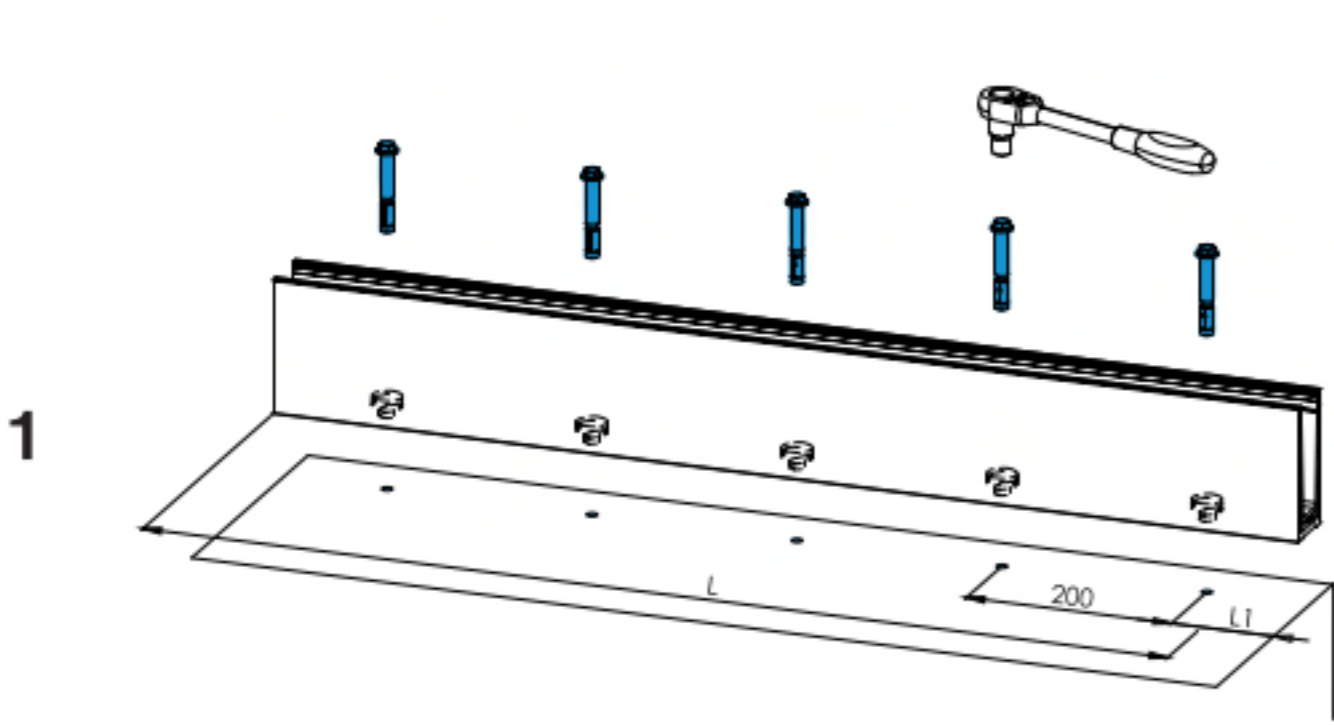



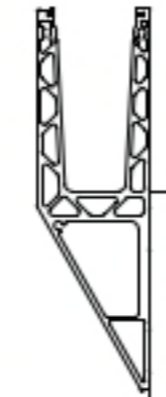
Faculty of Civil
Engineering

STATIC STUDIO

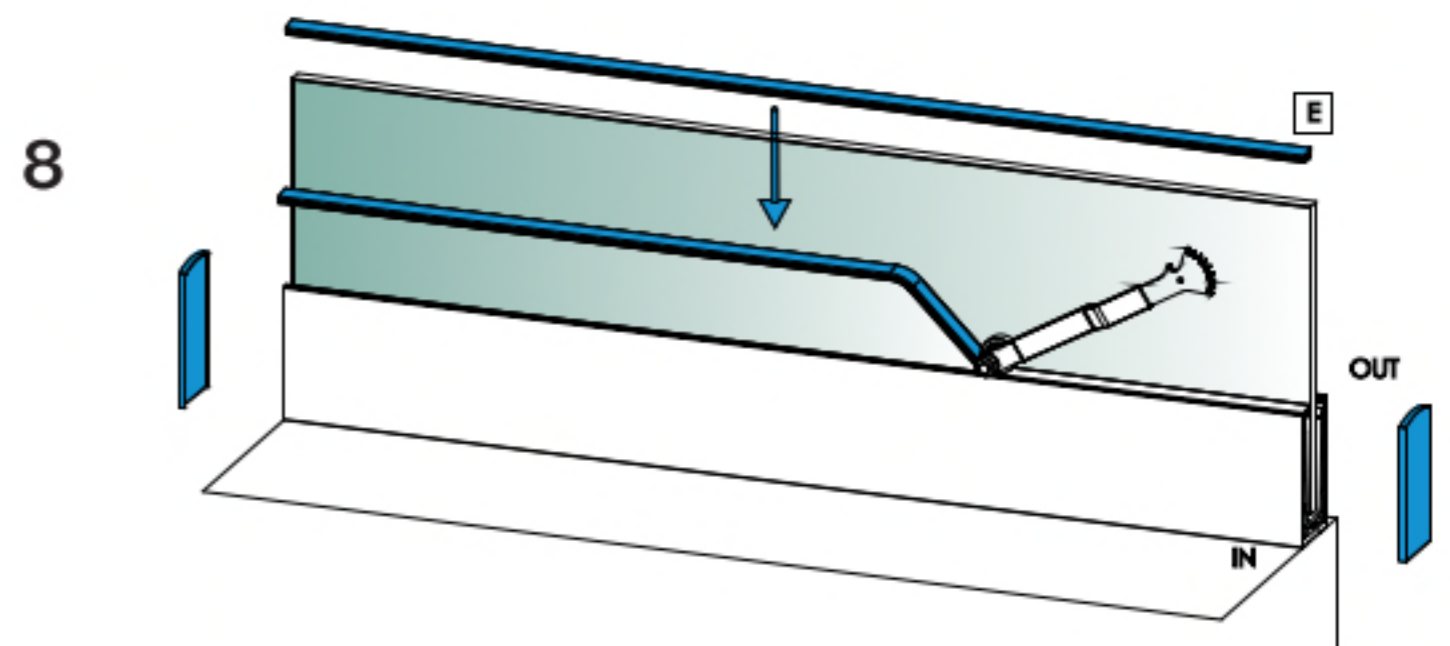
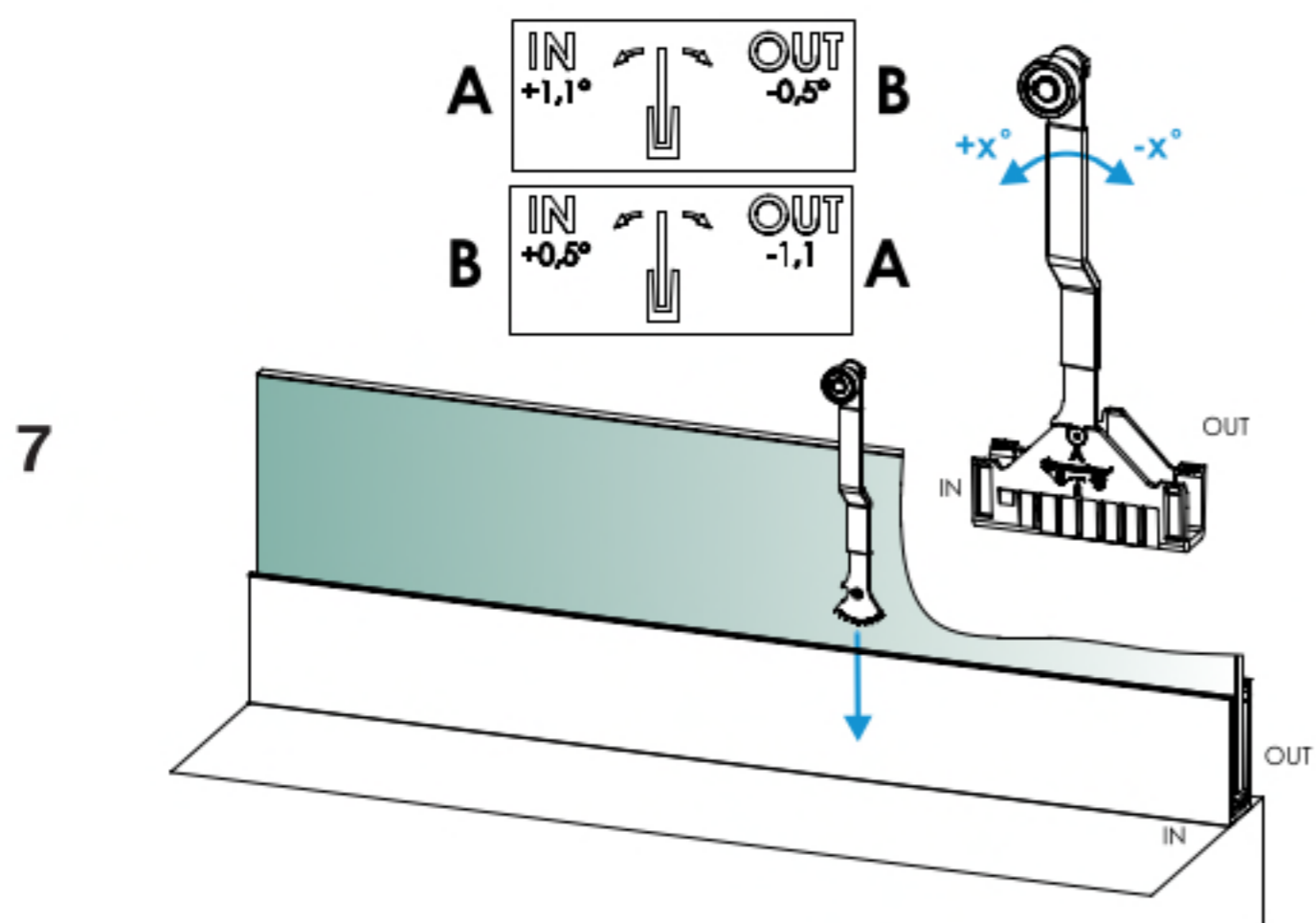
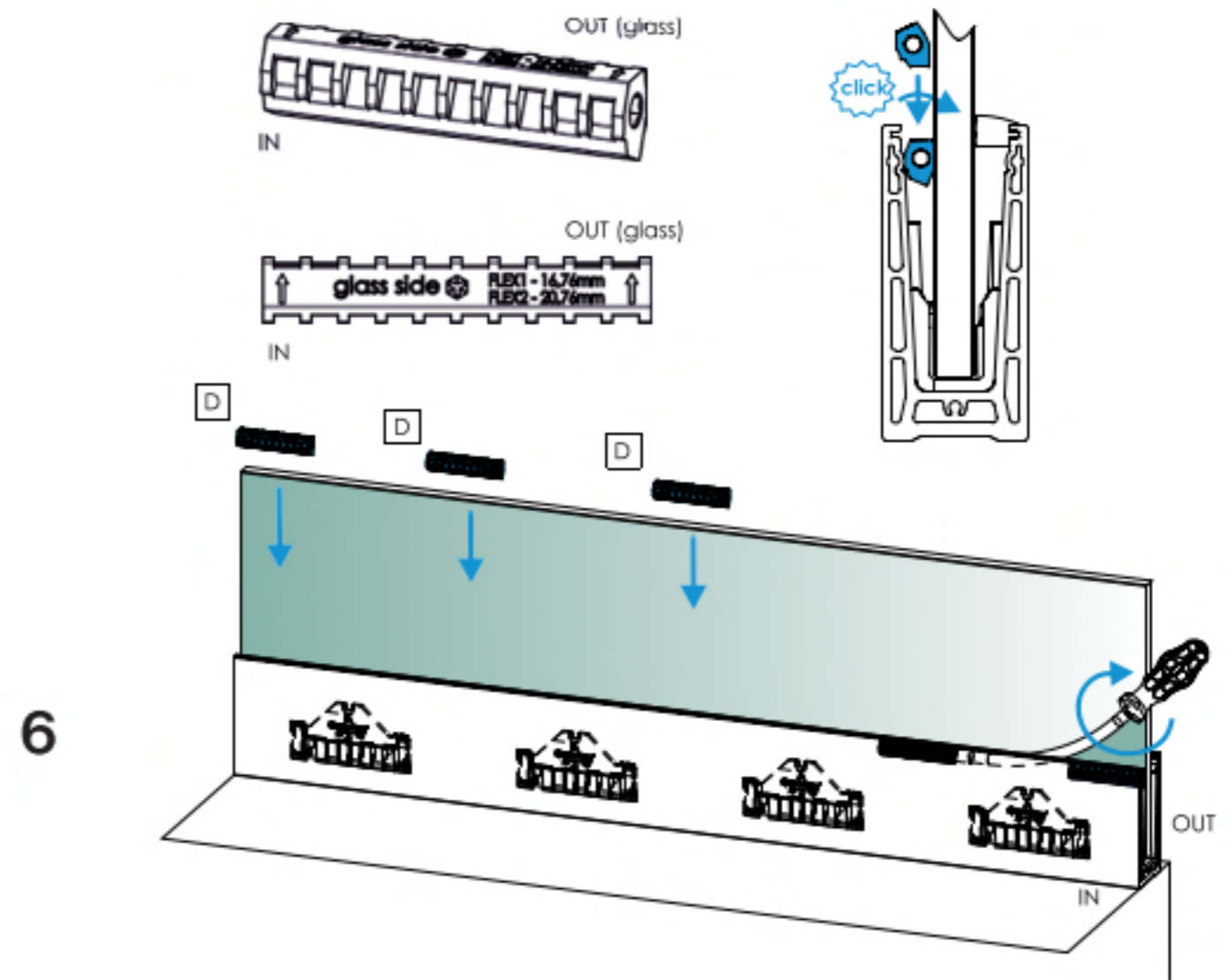
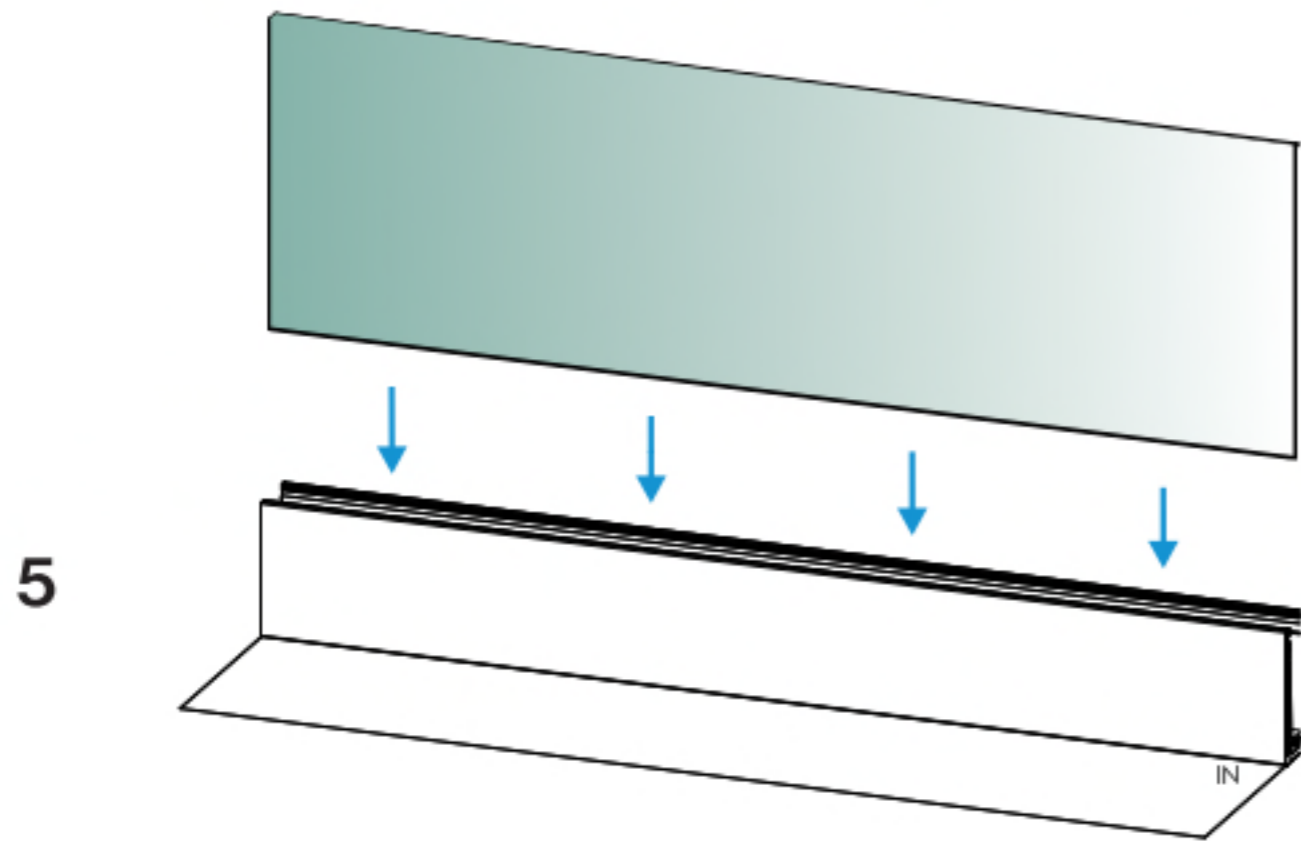


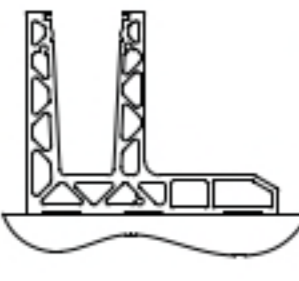
Assembly manual 1-2

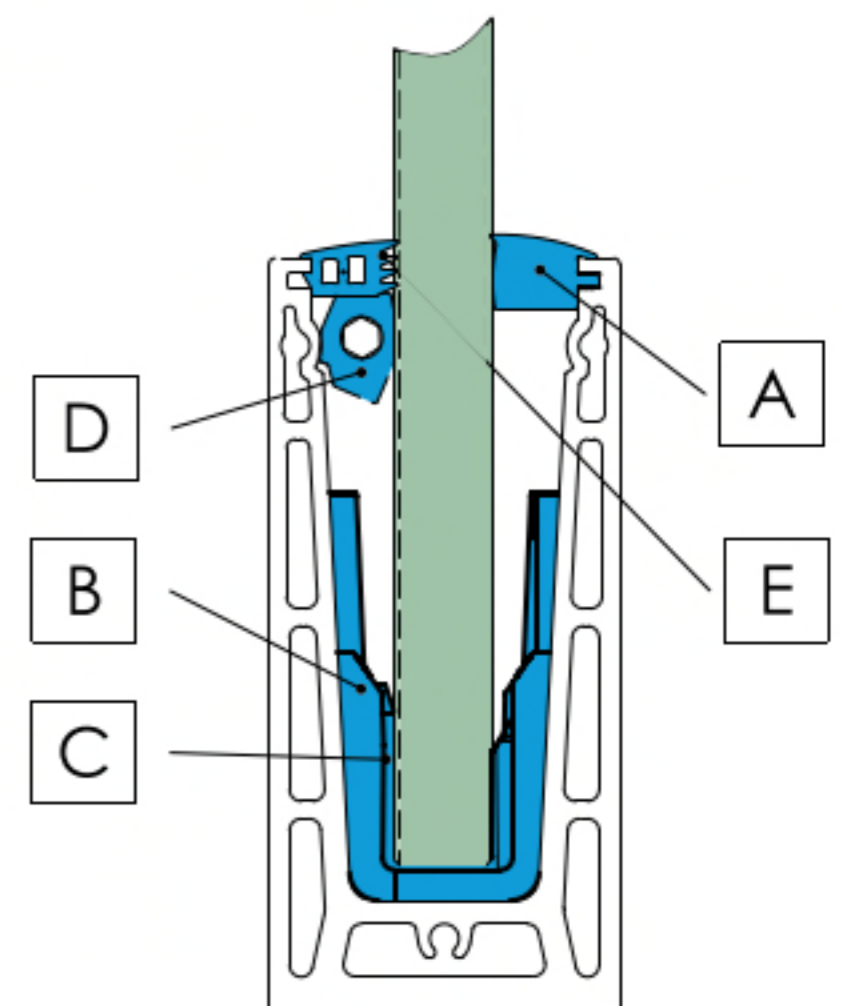


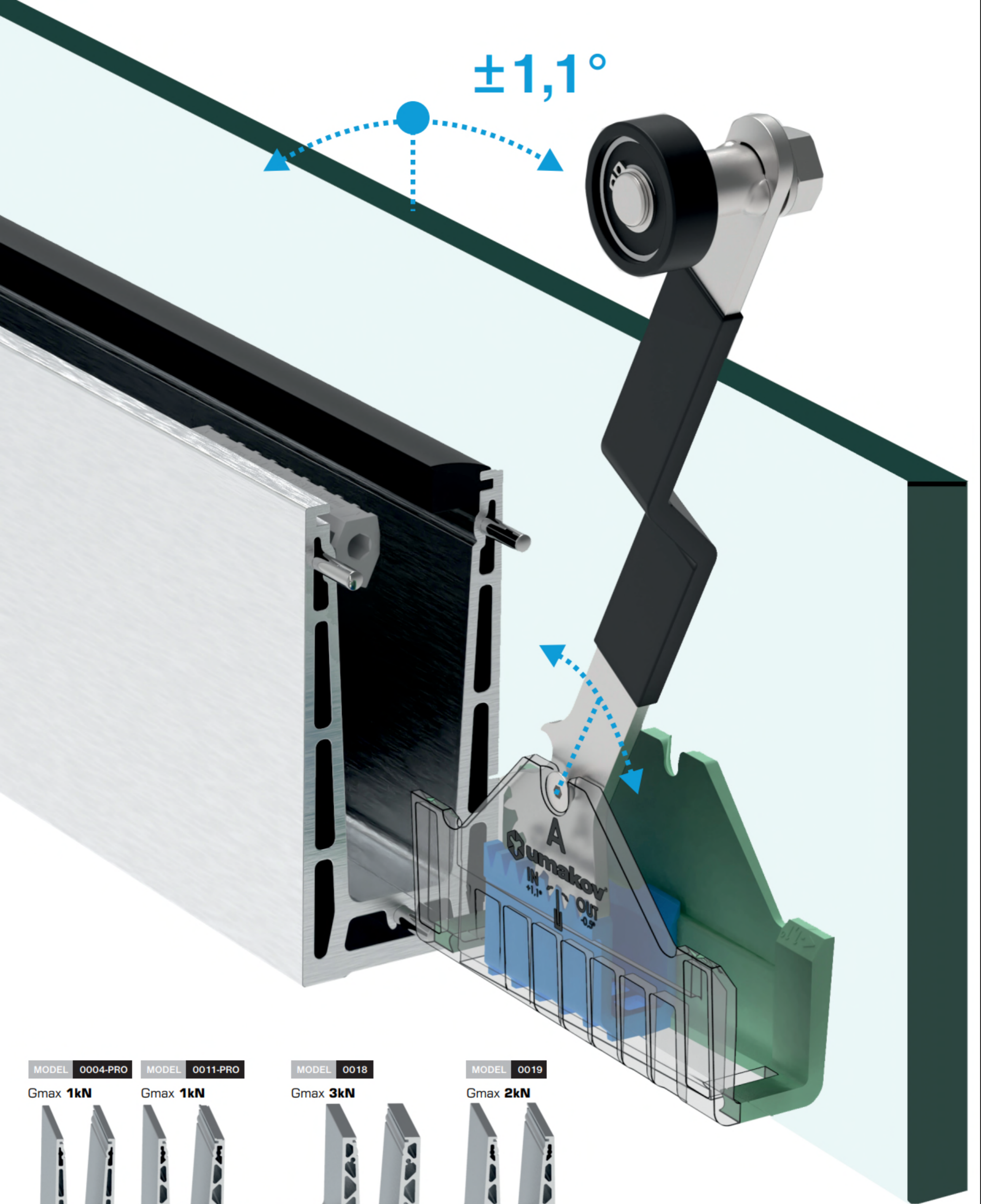
		L	L1
 AL/0004-PRO...		2500	50
		5000	100
 AL/0011-PRO...		2500	50
		5000	100

Assembly manual 2-2



		L	L1
	AL/0018...	2500	50
		5000	100
	AL/0019...	2500	50
		5000	100





MODEL 0004-PRO

MODEL 0011-PRO

MODEL 0018

MODEL 0019

Gmax 1kN

Gmax 1kN

Gmax 3kN

Gmax 2kN

